

## OUTSIDE MICROMETERS



5



3203-25A



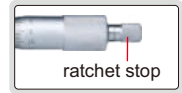
3203-50A



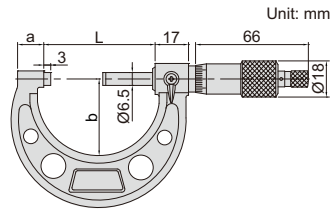
3203-1004A



3203-3006A



- Graduation: metric 0.01mm  
inch 0.0001"
- Carbide measuring faces
- Meet DIN863-1
- Supplied with setting standards (except 0-25mm and 0-1")



### Metric (ratchet stop type)

| Code       | Range     | Accuracy | L     | a      | b     |
|------------|-----------|----------|-------|--------|-------|
| 3203-25A*  | 0-25mm    | ±2µm     | 32mm  | 9mm    | 28mm  |
| 3203-50A*  | 25-50mm   | ±2µm     | 57mm  | 14mm   | 38mm  |
| 3203-75A*  | 50-75mm   | ±2µm     | 82mm  | 15mm   | 49mm  |
| 3203-100A* | 75-100mm  | ±3µm     | 107mm | 15mm   | 60mm  |
| 3203-125A  | 100-125mm | ±3µm     | 133mm | 16.5mm | 73mm  |
| 3203-150A  | 125-150mm | ±3µm     | 158mm | 16.5mm | 85mm  |
| 3203-175A  | 150-175mm | ±4µm     | 183mm | 19.4mm | 104mm |
| 3203-200A  | 175-200mm | ±4µm     | 209mm | 19.4mm | 117mm |
| 3203-225A  | 200-225mm | ±4µm     | 234mm | 19.4mm | 130mm |
| 3203-250A  | 225-250mm | ±5µm     | 260mm | 19.4mm | 142mm |
| 3203-275A  | 250-275mm | ±5µm     | 285mm | 19.4mm | 155mm |
| 3203-300A  | 275-300mm | ±5µm     | 310mm | 19.4mm | 168mm |

### Inch (ratchet stop type)

| Code     | Range  | Accuracy  | L       | a      | b      |
|----------|--------|-----------|---------|--------|--------|
| 3203-1A* | 0-1"   | ±0.0001"  | 1.260"  | 0.354" | 1.102" |
| 3203-2A* | 1-2"   | ±0.0001"  | 2.244"  | 0.551" | 1.496" |
| 3203-3A* | 2-3"   | ±0.0001"  | 3.228"  | 0.591" | 1.929" |
| 3203-4A* | 3-4"   | ±0.00015" | 4.213"  | 0.591" | 2.362" |
| 3203-5A* | 4-5"   | ±0.00015" | 5.236"  | 0.650" | 2.874" |
| 3203-6A* | 5-6"   | ±0.00015" | 6.220"  | 0.650" | 3.346" |
| 3203-7A  | 6-7"   | ±0.0002"  | 7.205"  | 0.764" | 4.094" |
| 3203-8A  | 7-8"   | ±0.0002"  | 8.228"  | 0.764" | 4.606" |
| 3203-9A  | 8-9"   | ±0.0002"  | 9.213"  | 0.764" | 5.118" |
| 3203-10A | 9-10"  | ±0.00025" | 10.236" | 0.764" | 5.591" |
| 3203-11A | 10-11" | ±0.00025" | 11.220" | 0.764" | 6.102" |
| 3203-12A | 11-12" | ±0.00025" | 12.205" | 0.764" | 6.614" |

### Metric micrometer set (ratchet stop type)

| Code        | Range     | Micrometers Included  | Packaging       |
|-------------|-----------|---|-----------------|
| 3203-753A*  | 0-75mm    | 3203-25A, 3203-50A, 3203-75A  | blow mould case |
| 3203-1004A* | 0-100mm   | 3203-25A, 3203-50A, 3203-75A, 3203-100A   | blow mould case |
| 3203-1506A  | 0-150mm   | 3203-25A, 3203-50A, 3203-75A, 3203-100A, 3203-125A, 3203-150A   | blow mould case |
| 3203-3006A  | 150-300mm | 3203-175A, 3203-200A, 3203-225A, 3203-250A, 3203-275A, 3203-300A  | aluminum box    |
| 3203-3012A  | 0-300mm   | 3203-25A, 3203-50A, 3203-75A, 3203-100A, 3203-125A, 3203-150A, 3203-175A, 3203-200A, 3203-225A, 3203-250A, 3203-275A, 3203-300A | aluminum box    |

### Inch micrometer set (ratchet stop type)

| Code       | Range | Micrometers included  | Packaging       |
|------------|-------|---|-----------------|
| 3203-33A*  | 0-3"  | 3203-1A, 3203-2A, 3203-3A   | blow mould case |
| 3203-44A*  | 0-4"  | 3203-1A, 3203-2A, 3203-3A, 3203-4A  | blow mould case |
| 3203-66A*  | 0-6"  | 3203-1A, 3203-2A, 3203-3A, 3203-4A, 3203-5A, 3203-6A  | blow mould case |
| 3203-126A  | 6-12" | 3203-7A, 3203-8A, 3203-9A, 3203-10A, 3203-11A, 3203-12A   | aluminum box    |
| 3203-1212A | 0-12" | 3203-1A, 3203-2A, 3203-3A, 3203-4A, 3203-5A, 3203-6A, 3203-7A, 3203-8A, 3203-9A, 3203-10A, 3203-11A, 3203-12A | aluminum box    |

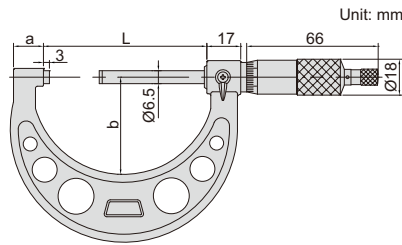
### Inch (friction thimble type)

| Code      | Range | Accuracy | L      | a      | b      |
|-----------|-------|----------|--------|--------|--------|
| 3203-1FA* | 0-1"  | ±0.0001" | 1.260" | 0.354" | 1.102" |
| 3203-2FA* | 1-2"  | ±0.0001" | 2.244" | 0.551" | 1.496" |
| 3203-3FA* | 2-3"  | ±0.0001" | 2.244" | 0.591" | 1.929" |

\* Supplied with manufacturer inspection certificate traceable to DKD Germany or NIST USA

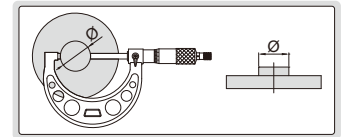
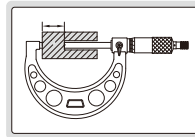
## LONG SPINDLE OUTSIDE MICROMETERS

- Graduation 0.01mm
- Carbide measuring faces
- Meet DIN863-1
- Ratchet stop
- Supplied with setting standards (except 0-25mm)



3209-25

| Code     | Range    | Accuracy | L     | a      | b    |
|----------|----------|----------|-------|--------|------|
| 3209-25  | 0-25mm   | 4µm      | 57mm  | 14mm   | 38mm |
| 3209-50  | 25-50mm  | 4µm      | 82mm  | 15mm   | 49mm |
| 3209-75  | 50-75mm  | 5µm      | 107mm | 15mm   | 60mm |
| 3209-100 | 75-100mm | 5µm      | 133mm | 16.5mm | 73mm |



5

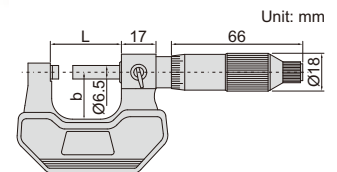
## NON MAGNETIC MICROMETERS

- Suitable for magnetic materials
- Graduation: 0.01mm
- Non magnetic carbide measuring faces
- Ratchet stop



3231-25A

| Code      | Range    | Accuracy | L     | b    |
|-----------|----------|----------|-------|------|
| 3231-25A  | 0-25mm   | 4µm      | 32mm  | 24mm |
| 3231-50A  | 25-50mm  | 4µm      | 57mm  | 32mm |
| 3231-75A  | 50-75mm  | 5µm      | 82mm  | 45mm |
| 3231-100A | 75-100mm | 5µm      | 105mm | 57mm |



## OUTSIDE MICROMETERS FOR LEFT OR RIGHT HANDERS

- Graduation 0.01mm
- Graduations on two sides
- Ratchet stop
- Carbide measuring faces
- Meet DIN863-1
- Supplied with setting standards (except 0-25mm)



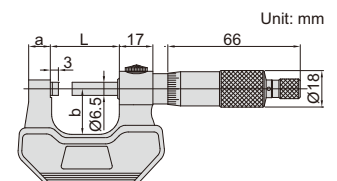
front



back

3236-25B

| Code      | Range     | Accuracy | L   | a | b   |
|-----------|-----------|----------|-----|---|-----|
| 3236-25B  | 0-25mm    | 4µm      | 32  | 6 | 24  |
| 3236-50B  | 25-50mm   | 4µm      | 57  | 8 | 32  |
| 3236-75B  | 50-75mm   | 5µm      | 82  | 8 | 45  |
| 3236-100B | 75-100mm  | 5µm      | 107 | 8 | 57  |
| 3236-125B | 100-125mm | 6µm      | 133 | 8 | 70  |
| 3236-150B | 125-150mm | 6µm      | 158 | 8 | 82  |
| 3236-175B | 150-175mm | 7µm      | 183 | 8 | 95  |
| 3236-200B | 175-200mm | 7µm      | 209 | 8 | 107 |



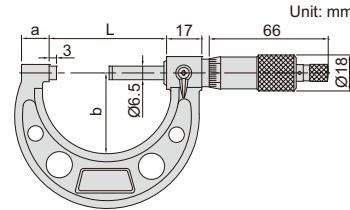
## 1µm GRADUATION OUTSIDE MICROMETERS

- Graduation 0.001mm
- Carbide measuring faces
- Meet DIN863-1
- Supplied with setting standards (except 0-25mm)

**INSPECTION  
CERTIFICATE**  
TRACEABLE TO DKD



3210-25A



### Ratchet stop type (mm)

| Code       | Range     | Accuracy | L   | a    | b   |
|------------|-----------|----------|-----|------|-----|
| 3210-25A*  | 0-25mm    | 4µm      | 32  | 9    | 28  |
| 3210-50A*  | 25-50mm   | 4µm      | 57  | 14   | 38  |
| 3210-75A*  | 50-75mm   | 5µm      | 82  | 15   | 49  |
| 3210-100A* | 75-100mm  | 5µm      | 107 | 15   | 60  |
| 3210-125A  | 100-125mm | 6µm      | 133 | 16.5 | 73  |
| 3210-150A  | 125-150mm | 6µm      | 158 | 16.5 | 85  |
| 3210-175A  | 150-175mm | 7µm      | 183 | 19.4 | 104 |
| 3210-200A  | 175-200mm | 7µm      | 209 | 19.4 | 117 |

### Friction thimble type (mm)

| Code       | Range   | Accuracy | L  | a  | b  |
|------------|---------|----------|----|----|----|
| 3210-25FA* | 0-25mm  | 4µm      | 32 | 9  | 28 |
| 3210-50FA* | 25-50mm | 4µm      | 57 | 14 | 38 |

### Micrometer set (ratchet stop type)

| Code        | Range   | Micrometers included  |
|-------------|---------|---|
| 3210-753A*  | 0-75mm  | 3210-25A, 3210-50A, 3210-75A                                  |
| 3210-1004A* | 0-100mm | 3210-25A, 3210-50A, 3210-75A, 3210-100A                       |
| 3210-1506A  | 0-150mm | 3210-25A, 3210-50A, 3210-75A, 3210-100A, 3210-125A, 3210-150A |

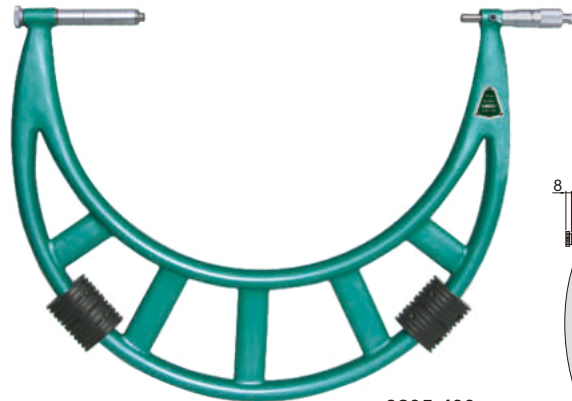
\*Supplied with manufacturer inspection certificate traceable to DKD Germany

## OUTSIDE MICROMETERS WITH EXTENSION ANVIL COLLAR

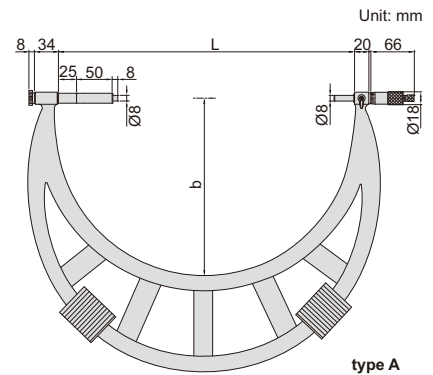
- Graduation 0.01mm
- Adjust collars for different measuring ranges
- Ratchet stop
- Carbide measuring faces
- Supplied with setting standards



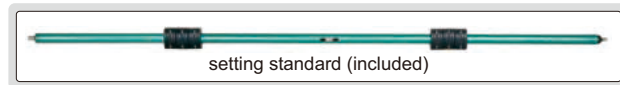
adjust collars for different measuring ranges



3205-400

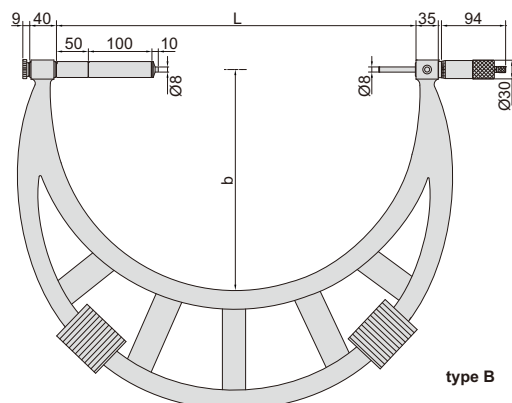


type A



| Code      | Range       | Type | Accuracy | L    | b    | Setting standard (included) |
|-----------|-------------|------|----------|------|------|-----------------------------|
| 3205-400  | 300-400mm   | A    | 11µm     | 410  | 250  | 325, 375                    |
| 3205-500  | 400-500mm   | A    | 13µm     | 510  | 295  | 425, 475                    |
| 3205-600  | 500-600mm   | A    | 14µm     | 610  | 345  | 525, 575                    |
| 3205-700  | 600-700mm   | A    | 16µm     | 710  | 395  | 625, 675                    |
| 3205-800  | 700-800mm   | A    | 18µm     | 810  | 445  | 725, 775,                   |
| 3205-900  | 800-900mm   | A    | 20µm     | 910  | 495  | 825, 875                    |
| 3205-1000 | 900-1000mm  | A    | 22µm     | 1010 | 545  | 925, 975                    |
| 3205-1200 | 1000-1200mm | B    | 22µm     | 1210 | 645  | 1050, 1150                  |
| 3205-1400 | 1200-1400mm | B    | 24µm     | 1410 | 745  | 1250, 1350                  |
| 3205-1600 | 1400-1600mm | B    | 28µm     | 1610 | 845  | 1450, 1550                  |
| 3205-1800 | 1600-1800mm | B    | 31µm     | 1810 | 945  | 1650, 1750                  |
| 3205-2000 | 1800-2000mm | B    | 34µm     | 2010 | 1045 | 1850, 1950                  |

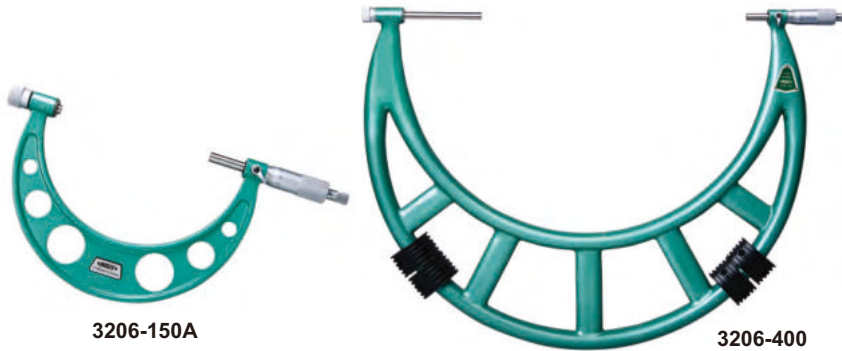
(mm)



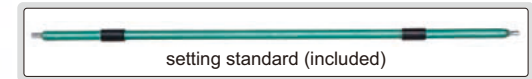
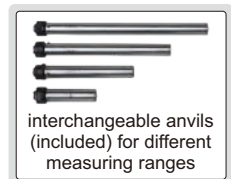
type B



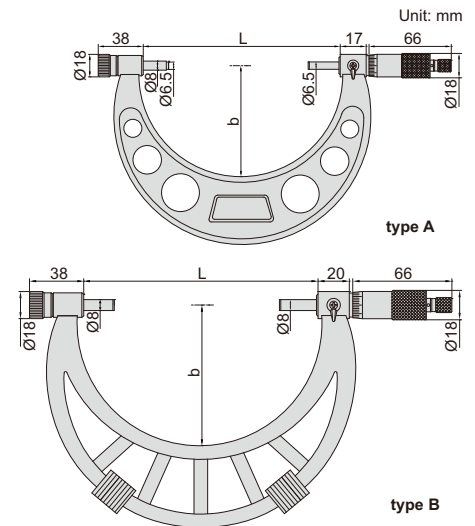
## OUTSIDE MICROMETERS WITH INTERCHANGEABLE ANVILS



- Graduation 0.01mm
- Ratchet stop
- Meet DIN863-3
- Carbide measuring faces
- Supplied with setting standards



| Code      | Range      | Type | Accuracy | L    | b   | Setting standard (included)  |
|-----------|------------|------|----------|------|-----|------------------------------|
| 3206-50A  | 0-50mm     | A    | 4µm      | 58   | 35  | 25                           |
| 3206-100A | 0-100mm    | A    | 5µm      | 108  | 57  | 25, 50, 75                   |
| 3206-150A | 0-150mm    | A    | 6µm      | 158  | 82  | 25, 50, 75, 100, 125         |
| 3206-151A | 50-150mm   | A    | 6µm      | 158  | 82  | 50, 75, 100, 125             |
| 3206-200A | 100-200mm  | A    | 7µm      | 208  | 114 | 100, 125, 150, 175           |
| 3206-300A | 150-300mm  | A    | 9µm      | 308  | 165 | 150, 175, 200, 225, 250, 275 |
| 3206-301A | 200-300mm  | A    | 9µm      | 308  | 165 | 200, 225, 250, 275           |
| 3206-400  | 300-400mm  | B    | 11µm     | 409  | 224 | 325, 375                     |
| 3206-500  | 400-500mm  | B    | 13µm     | 509  | 275 | 425, 475                     |
| 3206-600  | 500-600mm  | B    | 14µm     | 609  | 321 | 525, 575                     |
| 3206-700  | 600-700mm  | B    | 16µm     | 709  | 371 | 625, 675                     |
| 3206-800  | 700-800mm  | B    | 18µm     | 809  | 426 | 725, 775                     |
| 3206-900  | 800-900mm  | B    | 20µm     | 909  | 476 | 825, 875                     |
| 3206-1000 | 900-1000mm | B    | 22µm     | 1009 | 576 | 925, 975                     |

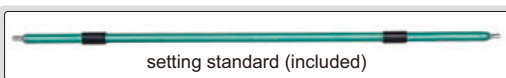
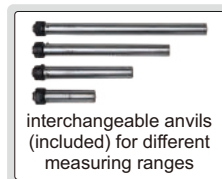
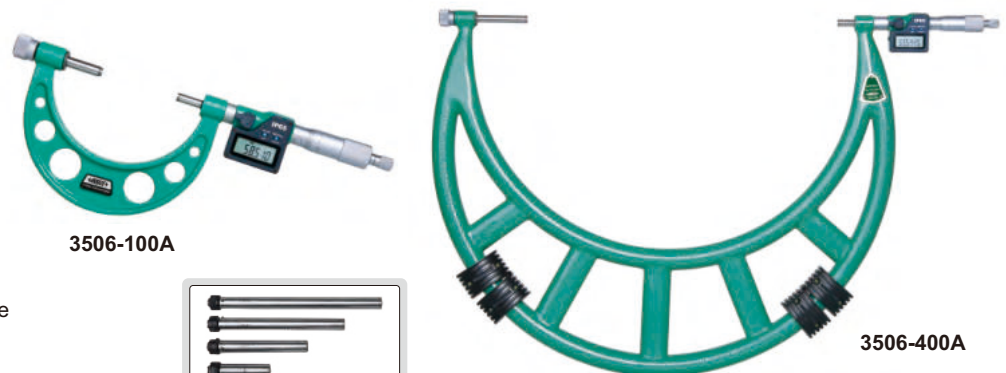


**IP65**  
WATERPROOF

**DATA**  
OUTPUT

## DIGITAL OUTSIDE MICROMETERS WITH INTERCHANGEABLE ANVILS

- Resolution 0.001mm/0.0001" (resolution of 3506-100A and 3506-150A is 0.001mm/0.00005")
- IP65 dust/waterproof
- Button function: on/off, set, mm/inch, ABS/INC
- Data output
- Automatic power off
- Ratchet stop
- Carbide measuring faces
- Supplied with setting standards
- Optional accessory: data output cable (code 7315-30, 7302-30)



| Code       | Range             | Type | Accuracy | L    | b   | Setting standard (included)  |
|------------|-------------------|------|----------|------|-----|------------------------------|
| 3506-100A  | 0-100mm/0-4"      | A    | ±5µm     | 105  | 57  | 25, 50, 75                   |
| 3506-150A  | 0-150mm/0-6"      | A    | ±6µm     | 155  | 82  | 25, 50, 75, 100, 125         |
| 3506-300A  | 150-300mm/6-12"   | A    | ±8µm     | 305  | 165 | 150, 175, 200, 225, 250, 275 |
| 3506-301A  | 200-300mm/8-12"   | A    | ±8µm     | 305  | 165 | 200, 225, 250, 275           |
| 3506-400A  | 300-400mm/12-16"  | B    | ±9µm     | 405  | 224 | 325, 375                     |
| 3506-500A  | 400-500mm/16-20"  | B    | ±11µm    | 505  | 275 | 425, 475                     |
| 3506-600A  | 500-600mm/20-24"  | B    | ±12µm    | 605  | 321 | 525, 575                     |
| 3506-700A  | 600-700mm/24-28"  | B    | ±13µm    | 705  | 371 | 625, 675                     |
| 3506-800A  | 700-800mm/28-32"  | B    | ±15µm    | 805  | 426 | 725, 775                     |
| 3506-900A  | 800-900mm/32-36"  | B    | ±16µm    | 905  | 476 | 825, 875                     |
| 3506-1000A | 900-1000mm/36-40" | B    | ±17µm    | 1005 | 576 | 925, 975                     |

